

LCD-Large displays **AFN 60/100/150/250**

Best readability at all lighting conditions



Numeric LCD-Displays: Series AFN 60/100/150/250

Technical data

Application area:	Indoor / Outdoor
Technology:	7+Segment-LCD
Character height:	60 / 100 / 150mm
Reading distance:	Approx. 18m / 30 mt / 45 m / 75 m
Character color:	Yellow or red or green or blue or white or orange on dark background
Deliverable interfaces:	RS 232, 485, Ethernet TCP/IP, Profibus DP, InterBus, CANBUS, Parallel, BCD with counting forward, backwards and Reset, Analog 0V bis 10V, 0(4) - 20 mA Further interfaces on inquiry
Number of display lines:	1 to 9
Number of characters per line:	6, 12, 18 or 24 at character height 60mm; Customer-specific adaption possible 2, 4, 6, 8, 10 or 12 at character height 100mm; Customer-specific adaption possible 2, 4, 6, 8 or 10 at character height 150mm; Customer-specific adaption possible 2, 4, 6, 8 oder 8 at character height 250mm; Customer-specific adaption possible
Deliverable executions:	Case steelsheet IP54 / IP65 (Opt. ALU / Stainless steel); Front mounting; single components
Power supply:	230VAC, optional 24VDC
Cable entry:	Two cable glands
Temperature range:	Storage / Operating: -40°C to +85°C
LCD durability:	Approx. 200.000h

Numeric 7+Segment LCD-Displays: AFN 60/100/150/250

General

The numeric LCD-Large displays of the series "AFN 60/100/150/250" allow the visualization of numerics and special signs. They characterize themselves particularly by the high life time (Approx. 200.000h), the large reading angle, the high temperature range (-40°C to +85°C) and the good readability under all conditions.

Large displays in execution LCD are suitable for **Indoor-** and **Outdoor application**.

The LCD-Large displays of the series "AFN 60/100/150/250" are deliverable with serial, parallel or analogues interfaces.

The numeric Large displays of the series "AFN" are deliverable in the following executions:

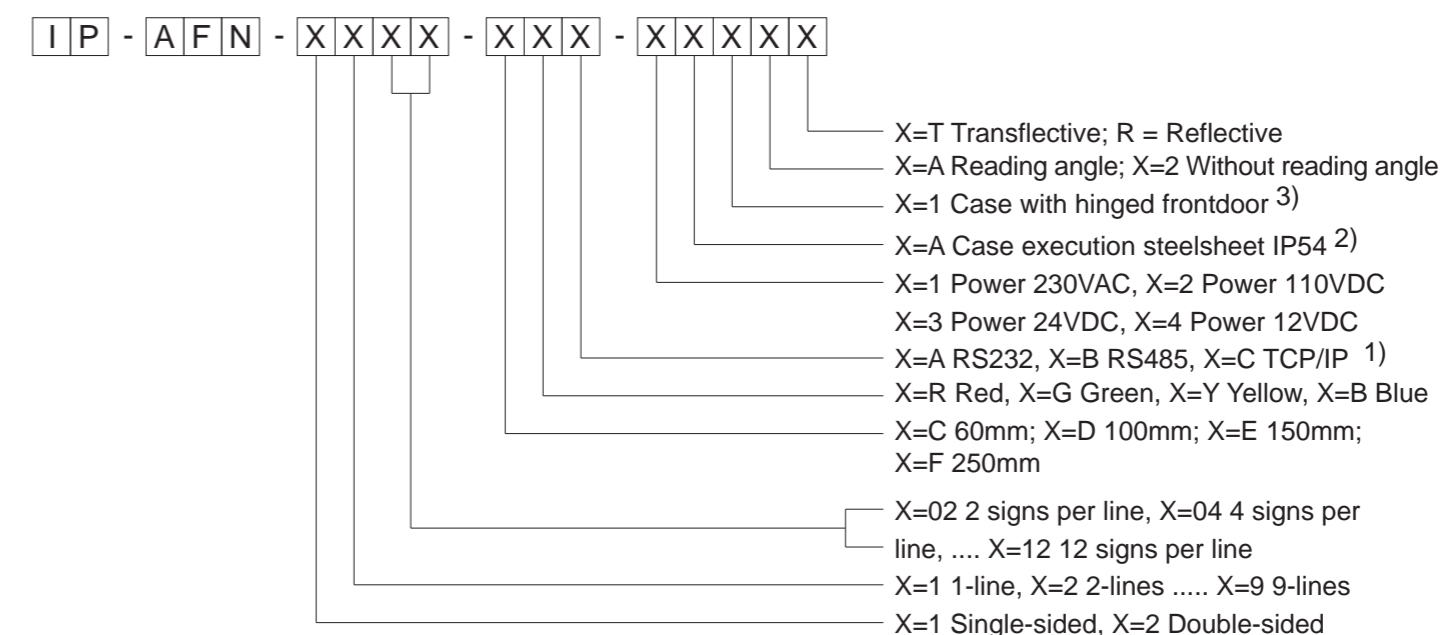
- Transflective (With backlighting for light and dark surroundings); Reflective (Without backlighting for light surroundings)
- Single- and multi-line
- Execution case with / without frontdoor (single- and double-sided; optionally even multi-sided)
- Execution front mounting
- Single components (incl. display modules, control unit, power supply)
- With the character heights 60mm, 100mm, 150mm and 250mm
- Character colours: Yellow, Red, Green, Blue, White or Orange on dark background
- With / without solid texts

The modular system structure of the series "AFN" allows a economical customization of the display type to various type wishes.

Application areas

- Quantity displays, Timer displays
- Numeric indication of analogous values
- Production data displays
- Accident statistics displays

Ordernumbers



1) Additional: X=E Profibus DP, X=F BCD-Inputs, Count forth, Count reverse and RESET; X=G Analog 0V - 10V; X=H Analog 0(4) - 20 mA; X=R Wireless (RF-MODEM); X=T Wireless (GPRS)
 2) Additional: X=B ALU, X=C Stainless steel, D= Front mounting ALU anodized, E= Front mounting stainless steel
 3) Additional: X=2 Case with screwed front side